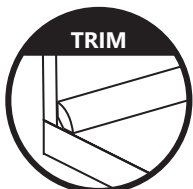
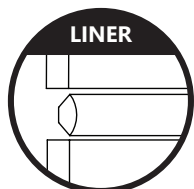
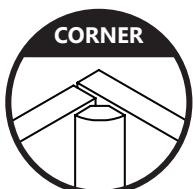
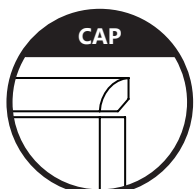




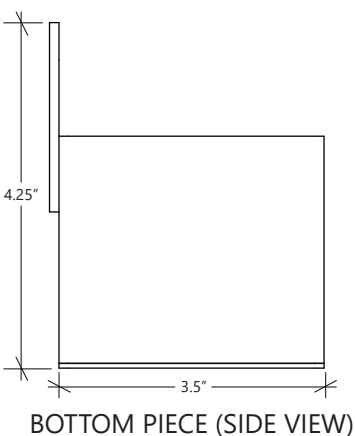
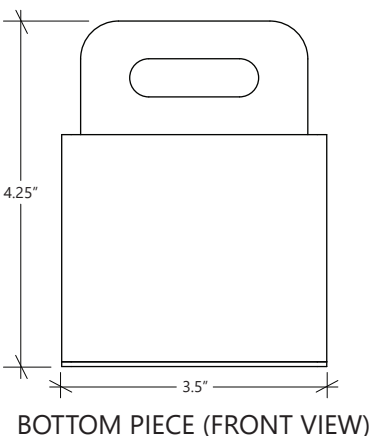
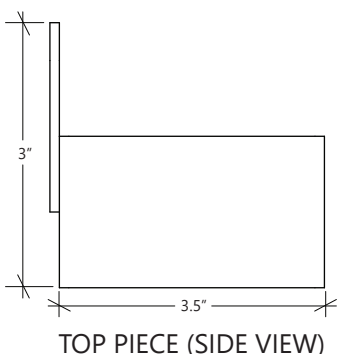
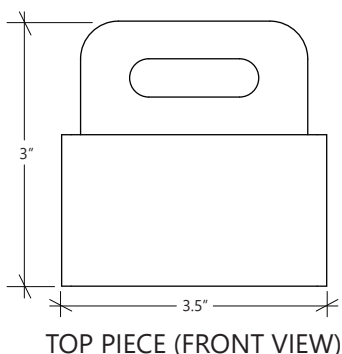
8FT JOLLY DISPLAY FIXTURE USE & CARE INSTRUCTIONS

4 WAYS TO INSTALL



Introducing the 8FT Quarter Round Trim Fixture: expertly designed to showcase and sell 8FT Quarter Round Trim pieces with style and durability. Made from tough powder-coated metal, it can hold up to 36 pieces of trim, keeping your inventory safe and organized. Its adaptable design fits smoothly into any distributor space, providing a sleek and professional way to display and sell your Quarter Round Trim Collection.

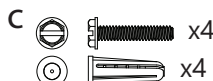
INCLUDED WITH YOUR JOLLY DISPLAY FIXTURE



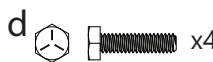
18-8 Stainless Steel Washer for 5/16" Screw Size, 0.344" ID, 0.75" OD
ITEM #: STEELWASHER



Medium-Strength Steel Hex Nut Grade 5, Zinc-Plated, 1/4"-20 Thread Size
ITEM #: 1/4 INCH HEXNUT



Anchors with Screw 1" Long, with 1" Long Number 10 Size Hex Head Slotted Screw
ITEM #: 1 INCH HEXSCREW



Medium-Strength Grade 5 Steel Hex Head Screw Zinc-Plated, 1/4"-20 Thread Size, 1" Long
ITEM #: 1/4 INCH HEXSCREW



Zinc-Plated Steel Oversized Washer for 1/4" Screw, 0.281" ID, 0.15" OD, 0.042"-0.051" Thickness
ITEM #: 1 1/2 INCH STEEL WASHER



Medium-Strength Grade 5 Steel Hex Head Screw Zinc-Plated, 1/4"-20 Thread Size, 2-1/4" Long
ITEM #: 2 1/4 INCH SCREW



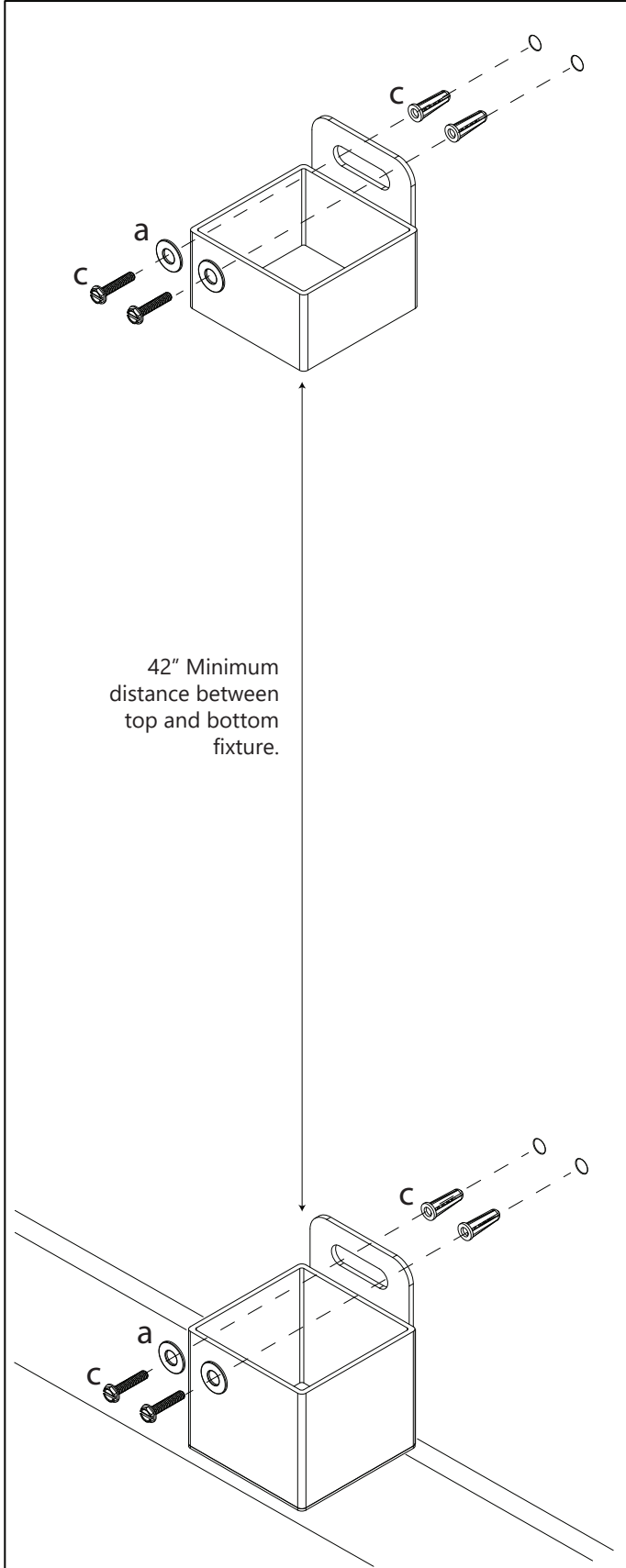
USE IN WET AREAS
ANTIMICROBIAL, SCRATCH & STAIN RESISTANT



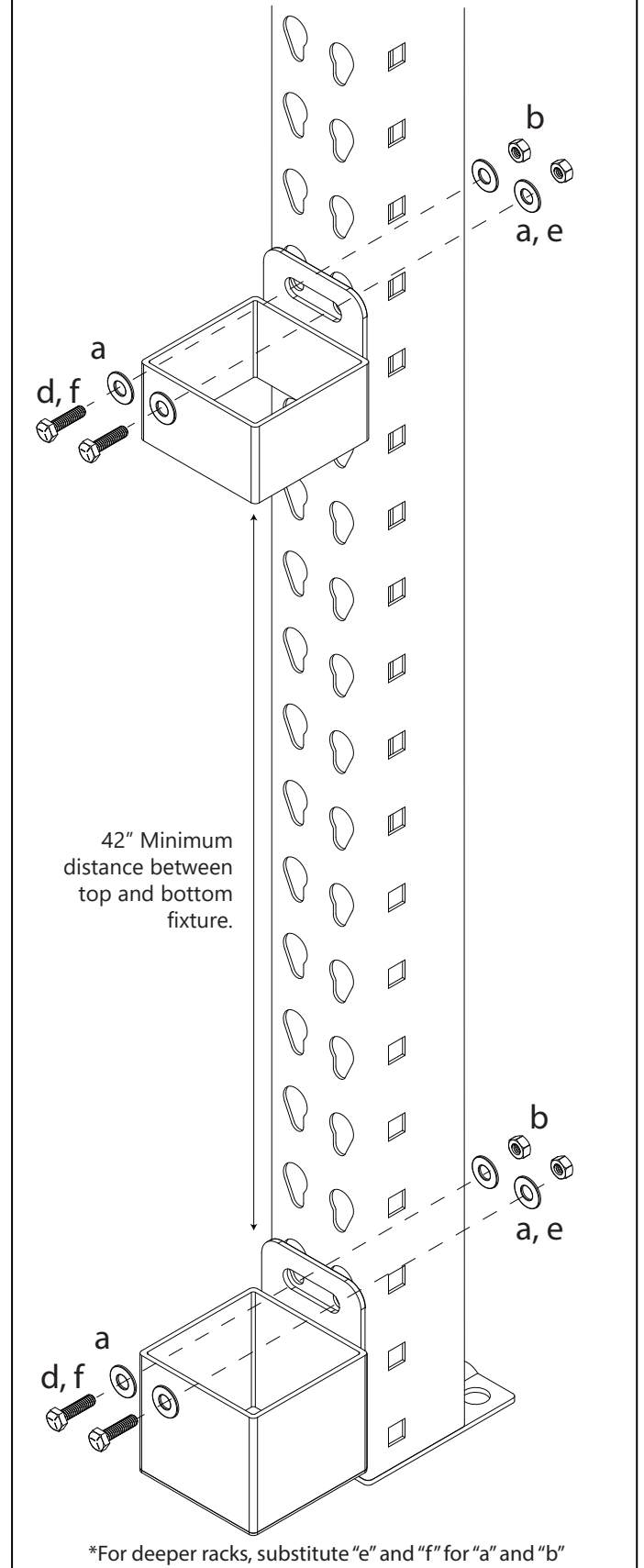
THE FINISHING TOUCH



DRYWALL INSTALLATION



UPRIGHT RACK FIXTURE INSTALLATION



USE IN WET AREAS
ANTIMICROBIAL, SCRATCH & STAIN RESISTANT



THE FINISHING TOUCH

